

CaféWay™ Cafeteria Tables Price List ■

October 29, 2014

Updated January 2, 2017

800-424-2432



Furnishing Knowledge®



CafeWay® Rectangular Tables with Benches	
General Information	2
CafeWay® Cafeteria Tables	
Rectangular Tables with Benches	4
CafeWay® Rectangular Tables with Stools	
General Information	6
CafeWay® Cafeteria Tables	
Rectangular Tables with Stools	8
CafeWay® Round Tables	
General Information	10
CafeWay® Cafeteria Tables	
Round Tables	16
Round-Wheelchair Accessible Tables	20
CafeWay® Octagonal Tables	
General Information	22
CafeWay® Cafeteria Tables	
Octagonal Tables with Stools	24
CafeWay® Racetrack Tables	
General Information	26
CafeWay® Cafeteria Tables	
Racetrack Tables with Stools	32
Racetrack Tables with Benches/Stools	34
Racetrack-Wheelchair Accessible Tables	36
Index	38

CaféWay® Rectangular Tables with Benches

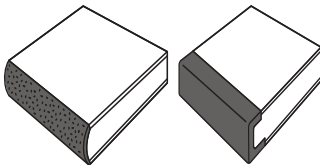
General Information



Rectangular w/Benches



Rectangular w/Benches - Folded



Sprayed edge (SY)

Urethane edge (MC)

SPECIFICATIONS

CaféWay® Overview

Tables shall be listed with Underwriters Laboratories in compliance with their testing for folding rollaway tables.

Lift Mechanism and Table Undercarriage

All critical parts at the pivot points are attached to the unitized steel frame. Steel latches are automatic in both the storage and in-use positions and are located so that they cannot be accidentally opened or knocked out of adjustment. Down latch is field-adjustable. Compression springs provide significant lift assistance and controlled down-placement and are capable of holding the table in the semi-open position throughout its range of motion for safety and easy floor cleaning. Anti-tip 3" casters allow table to be folded flat (parallel tops) for safety during transport and for minimum storage space requirement. The device is permanent, fixed, non-adjustable and cannot

be disabled. The anti-tip 3" casters do not contact the floor during normal operation, but assist in rolling the table over doorway thresholds or other obstructions. All legs are robotically welded for continued consistent quality assurance.

Table Tops and Benches

Table top and bench shall be constructed of ¾" thick particleboard with average density of 45 P.C.F. Table top and bench (sprayed or molded edge) shall have a ½" corner radius. Table top and bench are laminated with a .030 high-pressure laminate sheet for superior abrasion resistance. Laminates shall meet or exceed NEMA standards. A .028" phenolic backer is bonded to the bottom of the table core for stability and moisture resistance. Thickness shall be .808 +/- .004". Table top and bench are secured to frame with #10 x ¾" screws, 9" on centers.

Edges

Table top edges shall be finished as either sprayed or molded urethane.

Sprayed Edge (SY) - Edges are sealed and finished with sprayed-on black polyurea edge treatment that provides superior resistance to moisture, eliminates unsanitary food traps, and is extremely tamper-resistant.

Molded Urethane Edge (MC) - Edges shall be made of ¼" thick by ¾" high, cast black polyurethane that is mechanically and chemically bonded to the table core and chemically bonded to the laminate surface edges to provide a superior, permanently sealed barrier to moisture, dirt and bacteria penetration.

Frames

Self-supporting MIG welded, unitized frame design. Hinge plates and hinges are 11-gauge steel. Low profile 1¼" 16-gauge aprons with full 180-degree hem have effective strength of 11-gauge steel and provide maximum clearance under the top. Center leg assemblies are 16-gauge 1", 19/16" and 13/8" steel tubing. Grade 5 hex machine bolts with aircraft-type lock nuts or 5/16

rivets are used at all assembly points. Nylon bushings are included at all critical pivots points for ease of operation.

Frame Finishes

Frames shall be finished as either powdercoat or chrome.
Powdercoat Finish - All metal parts are thoroughly cleaned to resist corrosion and provide maximum paint adhesion, finished with high-grade electrostatically applied baked-on epoxy powdercoat for superior resistance to abrasion, marring, and scratching. The metal finish shall be baked-on lightly textured polyester powdercoat.
Chrome Finish - Chrome plating is available on leg sets touching the ground.

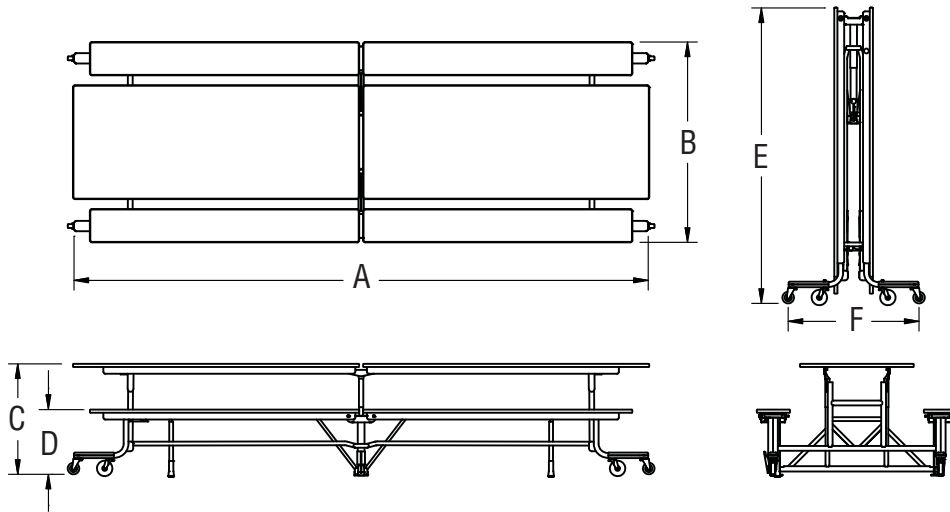
Casters

Table rolls on four 4" diameter x 1¼" wide Poly II gray rubber, non-marking, ball-bearing swivel casters. Poly II rubber wheels provide excellent floor protection, abrasion resistance, impact strength, quiet operation, and rolling ease.



CafeWay® Rectangular Tables with Benches

General Information



MODEL#	A	B	C	D	E	F
ECTRG2912BE 4 benches	149"	52"	29"	17"	78"	33"
ECTRG2712BE 4 benches	149"	52"	27"	15"	78"	33"
ECTRG2910BE 4 benches	125"	52"	29"	17"	66"	33"
ECTRG2710BE 4 benches	125"	52"	27"	15"	66"	33"
ECTRG2908BE 4 benches	101"	52"	29"	17"	54"	33"
ECTRG2708BE 4 benches	101"	52"	27"	15"	54"	33"

Casters are resistant to water, oil and most acids and chemicals.

INFORMATION

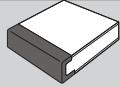
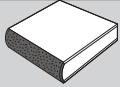
Warranty

Refer to KI Terms & Conditions document or visit ki.com



CafeWay® Cafeteria Tables

Rectangular Tables with Benches



Approx.
Packaged
Weight

Sprayed
Edge
(SY)

Urethane
Edge
(MC)

314.0#	\$ 2714	\$ 2964
314.0#	2714	2964
279.0#	2629	2879
279.0#	2629	2879
237.0#	2553	2803
237.0#	2553	2803

SPECIAL SERVICES

Special Carton Marking

With specially marked information N/C

Shipping

Shipped **assembled** Delivered from **Elkhorn, Wisconsin 53121** factory. Freight class #200.

Specifications and prices are subject to change without prior notice.

CaféWay® Rectangular Tables with Stools

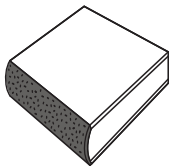
General Information



Rectangular w/Stools



Rectangular w/Stools - Folded



Sprayed edge (SY)

SPECIFICATIONS

CaféWay® Overview

Tables shall be listed with Underwriters Laboratories in compliance with their testing for folding rollaway tables.

Lift Mechanism and Table Undercarriage

All critical parts at the pivot points are attached to the unitized steel frame. Steel latches are automatic in both the storage and in-use positions and are located so that they cannot be accidentally opened or knocked out of adjustment. Torsion springs in conjunction with torsion bars provide easy lifting throughout the complete operating range. Torsion bars are shot-peened to impart compressive strength and increase lifecycle. Torsion bars are epoxy e-coated to prevent rusting and extend usable life. Torsion bars have machined grooves at each end, which receive e-clips to lock in position and prevent lateral movement. All legs are robotically welded for continued consistent

quality assurance.

Table Tops

Table top shall be constructed of 5/8" thick particleboard with average density of 45 P.C.F. Table top (sprayed or molded edge) shall have a 1/2" corner radius. Table top is laminated with a .030 high-pressure laminate sheet for superior abrasion resistance. Laminates shall meet or exceed NEMA standards. A .028" phenolic backer is bonded to the bottom of the table core for stability and moisture resistance. Thickness shall be .808 +/- .004". Top is secured to frame with #10 x 5/8" screws, 9" on centers.

Stools

13" diameter, high-impact polypropylene shall be of heavy-duty construction with ribs to reinforce points of stress and rolled edges for comfort and strength. Top shall be textured and color must permeate stool. Stools are fastened directly on a 6" square 11-gauge steel plate with eight #14 x 5/8" screws. This plate is welded to a 1" diameter,

14-gauge vertical tube. Seat columns contact floor directly with rubber-cushioned, molded-in steel washer and non-skid, non-marring end cap.

Edges

Table top edges shall be finished as either sprayed or molded urethane. Sprayed Edge (SY) - Edges are sealed and finished with sprayed-on black polyurea edge treatment that provides superior resistance to moisture, eliminates unsanitary food traps, and is extremely tamper resistant.

Frames

Self-supporting MIG welded, unitized frame design uses 14-gauge 1" and 1 1/4" steel tubing. Lock plates are 7-gauge steel, laser cut to exact tolerances. Low profile 2" high, 14-gauge C-shaped aprons provide maximum top clearance. Grade 5 hex machine bolts with aircraft type lock nuts are used at all assembly points.

Frame Finishes

Frames shall be finished as either powdercoat or chrome. Powdercoat Finish - All metal parts are thoroughly cleaned to resist corrosion and provide maximum paint adhesion, finished with high-grade electrostatically applied baked-on epoxy powdercoat for superior resistance to abrasion, marring, and scratching. The metal finish shall be baked-on lightly textured polyester powdercoat. Chrome Finish - Chrome plating is available on leg sets touching the ground.

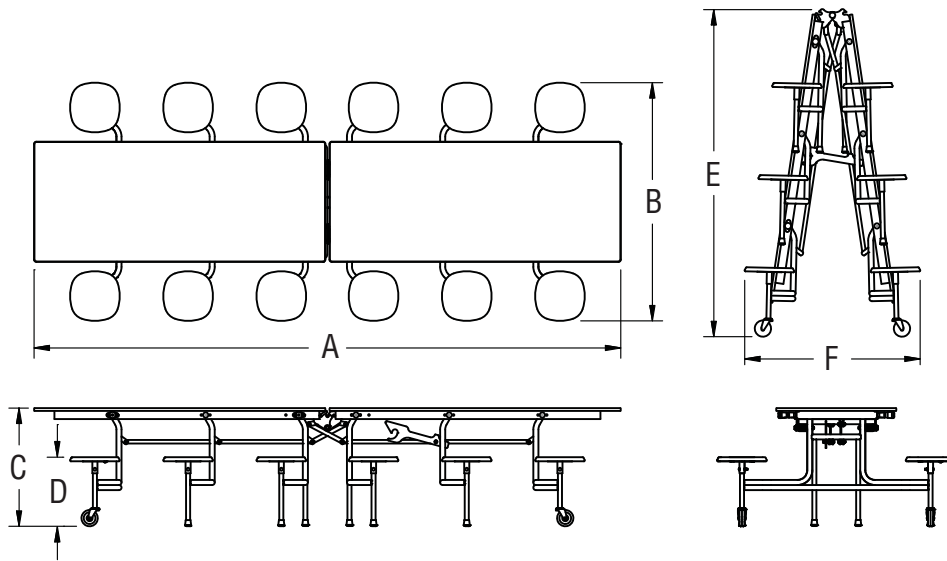
Casters

Table rolls on four 4" diameter x 1 1/4" wide Poly II gray rubber, non-marking, ball-bearing swivel casters. Poly II rubber wheels provide excellent floor protection, abrasion resistance, impact strength, quiet operation, and rolling ease. Casters are resistant to water, oil and most acids and chemicals.



CafeWay® Rectangular Tables with Stools

General Information



MODEL#	A	B	C	D	E	F
ECTRC291212PY 12 stools	144"	58"	29"	17"	82"	42-1/2"
ECTRC271212PY 12 stools	144"	58"	27"	15"	80"	42-1/2"
ECTRC291012PY 12 stools	120"	58"	29"	17"	71.9"	42-1/2"
ECTRC271012PY 12 stools	120"	58"	27"	15"	69.9"	42-1/2"
ECTRC290808PY 8 stools	96"	58"	29"	17"	59.9"	42-1/2"
ECTRC270808PY 8 stools	96"	58"	27"	15"	57.9"	42-1/2"

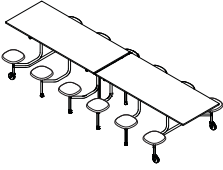
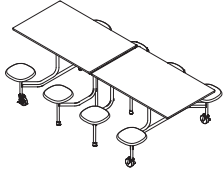
INFORMATION

Warranty

Refer to KI Terms & Conditions document
or visit ki.com

CafeWay® Cafeteria Tables

Rectangular Tables with Stools

MODEL	H x L x W	MODEL NUMBER						Approx. Packaged Weight
		Basic Model	Edge Style	Surface Finish	Surface Edge Color	Frame Color	Stool Color	
 <p>ECRCP</p> <p>Rectangular Tables with 12-Stools</p> <ul style="list-style-type: none"> Pricing is "Delivered"; Tables ship blanket wrapped as standard Orders picked up or shipments outside continental US require pallet upcharge. Contact KI Customer Service Table and bases have a third caster for additional weight distribution Center support legs assist with table top weight load distribution Seat support bars run perpendicular to the table off the floor eliminating trip hazards Large non-marking casters make folded table movement easy Available in Sprayed edge (SY) only Polypropylene stools have ribs to reinforce points of stress and are recyclable Stools require assembly Tops have 5/8" particle board core 	29 x 144 x 30"	ECTRC291212PY	SY	□□□	□□□□	□□	□□□□	270.0#
	27 x 144 x 30"	ECTRC271212PY	SY	□□□	□□□□	□□	□□□□	270.0#
	29 x 120 x 30"	ECTRC291012PY	SY	□□□	□□□□	□□	□□□□	245.0#
	27 x 120 x 30"	ECTRC271012PY	SY	□□□	□□□□	□□	□□□□	245.0#
 <p>ECRCP</p> <p>Rectangular Tables with 8-Stools</p> <ul style="list-style-type: none"> Pricing is "Delivered"; Tables ship blanket wrapped as standard Orders picked up or shipments outside continental US require pallet upcharge. Contact KI Customer Service Table and bases have a third caster for additional weight distribution Center support legs assist with table top weight load distribution Seat support bars run perpendicular to the table off the floor eliminating trip hazards Large non-marking casters make folded table movement easy Available in Sprayed edge (SY) only Polypropylene stools have ribs to reinforce points of stress and are recyclable Stools require assembly Tops have 5/8" particle board core 	29 x 96 x 30"	ECTRC290808PY	SY	□□□	□□□□	□□	□□□□	225.0#
	27 x 96 x 30"	ECTRC270808PY	SY	□□□	□□□□	□□	□□□□	225.0#

A **B** **C** **D** **E** **F**

HOW TO ORDER

Indicate the following information on order form:

- Quantity of each item.
- Model number, including options. See "How To Build a Model Number".
- Any special service required.

Note: • The indicates that a choice is required.

- The absence of the indicates that no choice is required.
- Alpha-numeric characters in place of indicate that no other alternatives are available.

HOW TO BUILD A MODEL NUMBER

- A** Select basic model.
Pricing is "Delivered".
- B** Select edge style.
SY - Sprayed Edge
- C** Select surface finish.
Refer to color addendum at ki.com or KI Fabrics & Finishes binder.
- D** Select surface edge color.
Refer to color addendum at ki.com or KI Fabrics & Finishes binder.
Edge color offerings are based on edge style selections.
- E** Select frame color.
**Undercarriage remains black with any choice
**Chrome Upcharge ; add \$369
CH - Chrome
RV - Raven
Refer to color addendum at ki.com or KI

Fabrics & Finishes binder.

- F** Select stool color.
Refer to color addendum at ki.com or KI Fabrics & Finishes binder.

INFORMATION

Sprayed Edge

Sprayed Edge (SY) is textured, which may result in surface variations that fall within an acceptable range.

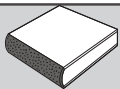
Delivery Note

At the time of order acknowledgement the customer will be acknowledged the week their product will deliver. A delivery appointment will be made approximately 1 to 2 weeks prior to the week of delivery by one of KI's carrier partners. In some situations, specific delivery date and time requests may result in additional charges.



CafeWay® Cafeteria Tables

Rectangular Tables with Stools



Sprayed
Edge
(SY)

\$ 2446

2446

2278

2278

\$ 2136

2136

SPECIAL SERVICES

Special Carton Marking

With specially marked information N/C

Shipping

Shipped k.d. Delivered from Elkhorn, Wisconsin 53121 factory. Freight class #200.

Specifications and prices are subject to change without prior notice.

CaféWay® Round Tables

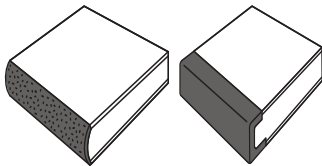
General Information



Round w/Stools



Round w/Stools - Folded



Sprayed edge (SY)

Urethane edge (MC)

SPECIFICATIONS

CaféWay® Overview

Tables shall be listed with Underwriters Laboratories in compliance with their testing for folding rollaway tables.

Lift Mechanism and Table Undercarriage

All critical parts at the pivot points are attached to the unitized steel frame. Steel latches are automatic in both the storage and in-use positions and are located so that they cannot be accidentally opened or knocked out of adjustment. Two-handed release mechanism protects fingers and hands during operation. Torsion bars assist in closing and opening tables. Torsion springs in conjunction with torsion bars provide easy lifting throughout the complete operating range. Torsion bars are shot-peened to impart compressive strength and increase lifecycle. Torsion bars are epoxy e-coated to prevent rusting and extend usable life. Torsion bars have machined grooves at each

end, which receive e-clips to lock in position and prevent lateral movement. All legs are robotically welded for continued consistent quality assurance.

Table Tops and Benches

Table top and bench shall be constructed of ¾" thick particleboard with average density of 45 P.C.F. Table top and bench (sprayed or molded edge) shall have a ½" corner radius. Table top and bench are laminated with a .030 high-pressure laminate sheet for superior abrasion resistance. Laminates shall meet or exceed NEMA standards. A .028" phenolic backer is bonded to the bottom of the table core for stability and moisture resistance. Thickness shall be .808 +/- .004". Top is secured to frame with #10 x ¾" screws, 9" on centers. Benches on end legs are mounted with eight #10 x ¾" screws. Two additional bench-mounting brackets secure seat plate to bench with three #10 x ¾" screws per bracket. Benches on mid-legs are secured to dual 15/8" high C-shaped 14-gauge aprons with #10 x ¾" screws. Tub-

ing is 13/8" OD 14-gauge and MIG welded to 15/16" 14-gauge tubing to form the bench attachment assembly, which is attached to the aprons using 5/16 -18" bolts and nylock nuts. Both bench attachment assemblies are inserted and anchored into the center leg assemblies with one 5/16 -18" bolt and nylock nut per down leg.

Stools

13" diameter, high-impact polypropylene shall be of heavy-duty construction with ribs to reinforce points of stress and rolled edges for comfort and strength. Top shall be textured and color must permeate stool. Stools are fastened directly on a 6" square 11-gauge steel plate with eight #14 x 5/8" screws. This plate is welded to a 1" diameter, 14-gauge vertical tube. Seat columns contact floor directly with rubber-cushioned, molded-in steel washer and non-skid, non-marring end cap.

Edges

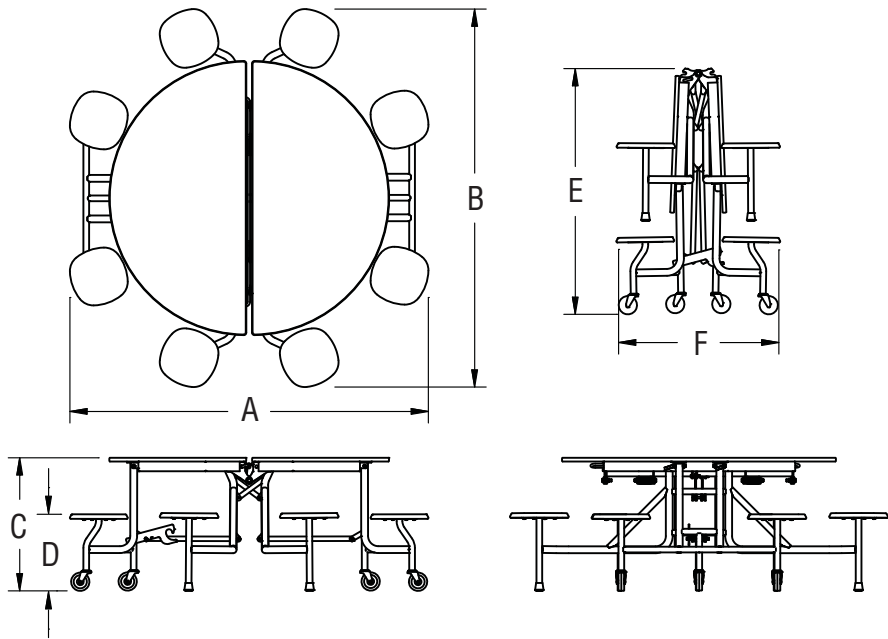
Table top and bench edges shall be finished

as either sprayed or molded urethane. Sprayed Edge (SY) - Edges are sealed and finished with sprayed-on black polyurea edge treatment that provides superior resistance to moisture, eliminates unsanitary food traps, and is extremely tamper-resistant.

Molded Urethane Edge (MC) - Edges shall be made of ¼" thick by ¾" high, cast black polyurethane that is mechanically and chemically bonded to the table core and chemically bonded to the laminate surface edges to provide a superior, permanently sealed barrier to moisture, dirt and bacteria penetration.

Frames

Self-supporting MIG welded, unitized frame design uses 14-gauge 1", 1¼", and 1½" steel tubing. Lock plates are 8-gauge steel, laser cut to exact tolerances. Low profile 2" high, 14-gauge C-shaped aprons provide maximum top clearance. Grade 5 hex machine bolts with aircraft-type lock nuts are used at assembly points and shoulder bolts are used



MODEL#	A	B	C	D	E	F
ECTRD290508PY 8 stools	79"	83"	29"	17"	52"	36"
ECTRD270508PY 8 stools	79"	83"	27"	15"	52"	36"

at stretcher bar-to-leg connections.

Frame Finishes

Frames shall be finished as either powder-coat or chrome.

Powdercoat Finish - All metal parts are thoroughly cleaned to resist corrosion and provide maximum paint adhesion, finished with high-grade electrostatically applied baked-on epoxy powdercoat for superior resistance to abrasion, marring, and scratching. The metal finish shall be baked-on lightly textured polyester powdercoat.

Chrome Finish - Chrome plating is available on leg sets touching the ground.

Casters

Table rolls on six 4" diameter x 1¼" wide Poly II gray rubber, non-marking, ball-bearing swivel casters. Poly II rubber wheels provide excellent floor protection, abrasion resistance, impact strength, quiet operation, and rolling ease. Casters are resistant to water, oil and most acids and chemicals.

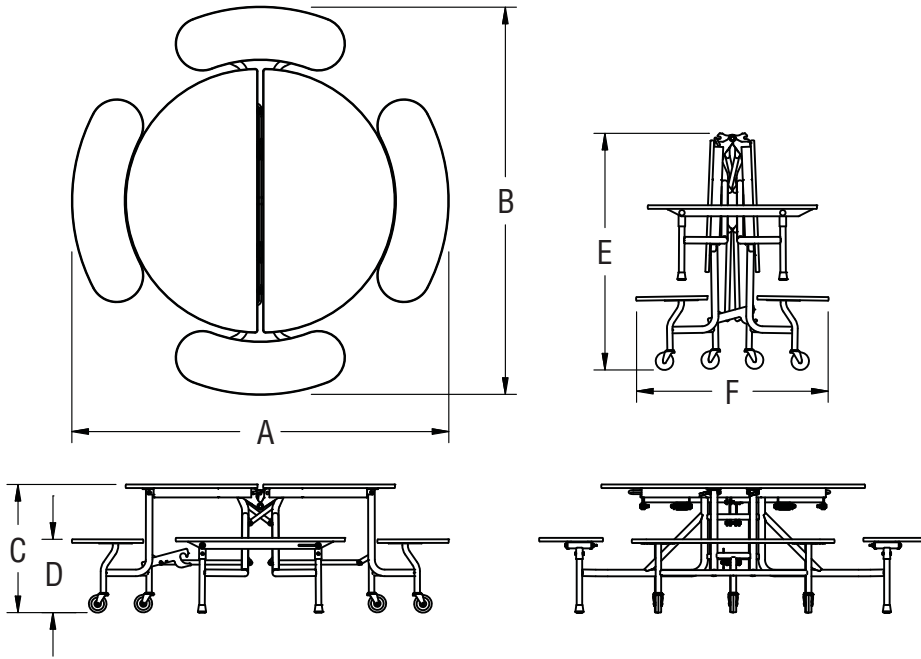
INFORMATION

Warranty

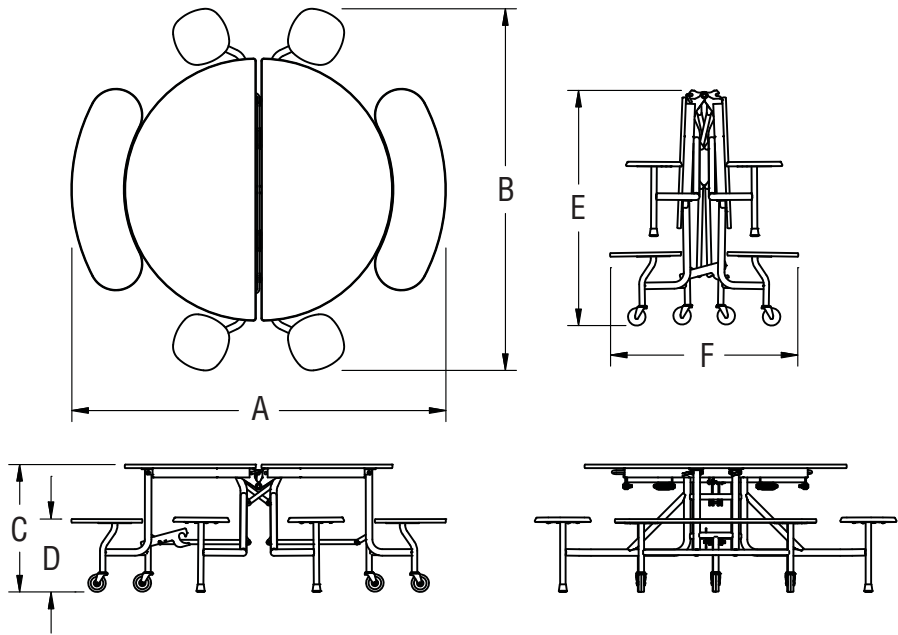
Refer to KI Terms & Conditions document or visit ki.com

CafeWay® Round Tables

General Information



MODEL#	A	B	C	D	E	F
ECTRD2905B4PY 4 benches	86"	87"	29"	17"	52"	44"
ECTRD2707B4PY 4 benches	86"	87"	27"	15"	52"	44"



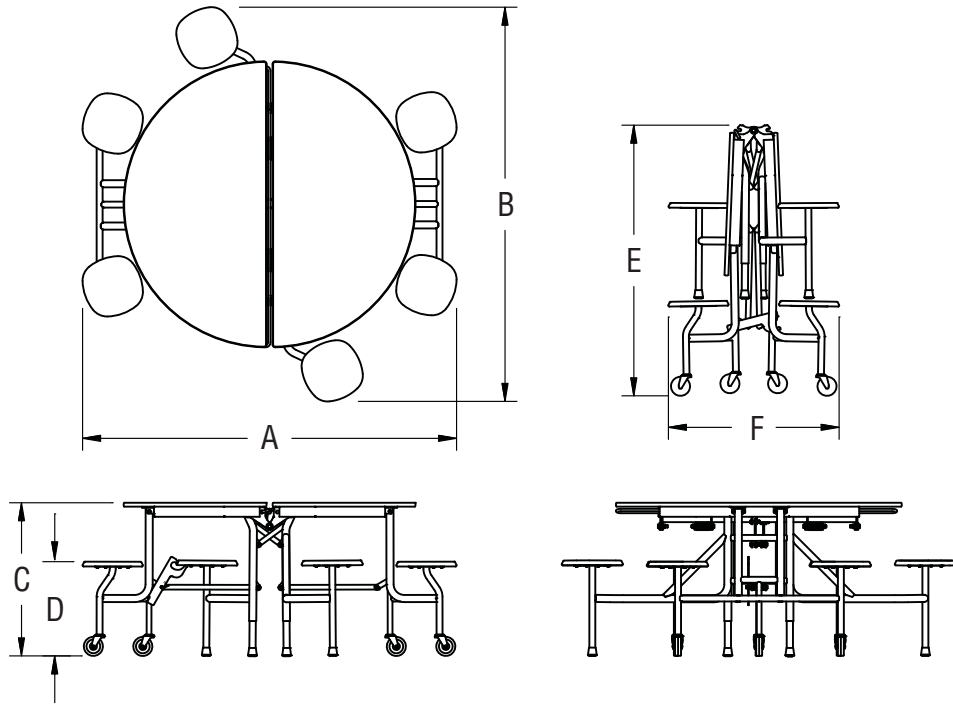
MODEL#	A	B	C	D	E	F
ECTRD2905B2S4PY 2 benches and 4 stools	86"	83"	29"	17"	52"	44"
ECTRD2705B2S4PY 2 benches and 4 stools	86"	83"	27"	15"	52"	44"

INFORMATION

Warranty
Refer to KI Terms & Conditions document
or visit ki.com

CafeWay® Round Tables

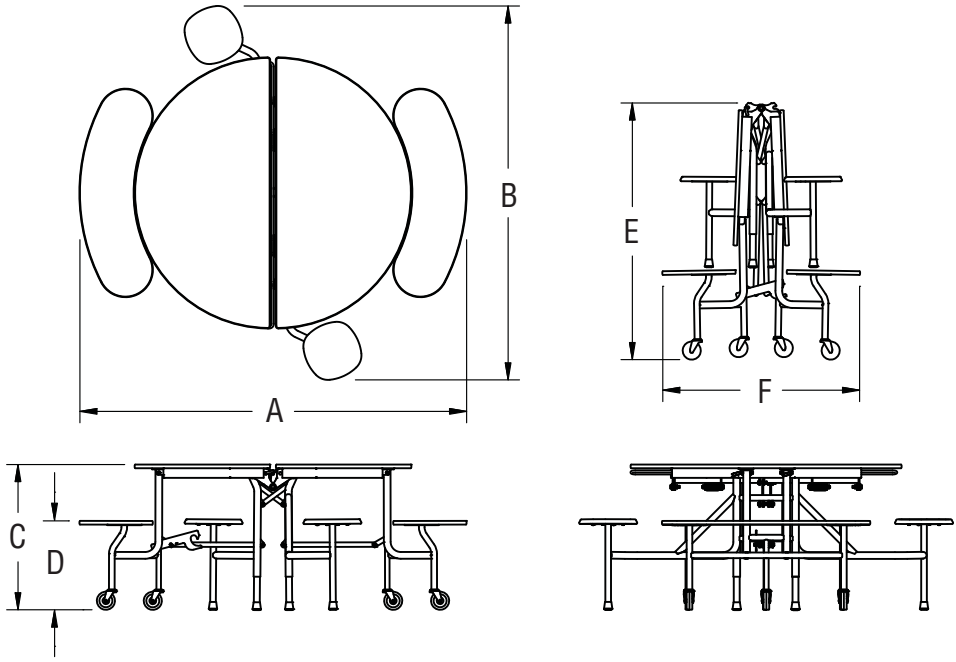
General Information



MODEL#	A	B	C	D	E	F
ECTRD320506PY 6 stools and 2 wheelchair access spaces	83"	79"	32"	17"	52"	36"



CafeWay® Round Tables
General Information



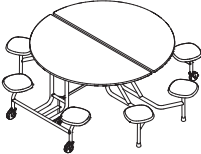
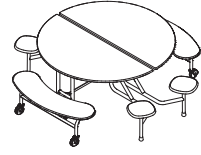
MODEL#	A	B	C	D	E	F
ECTRD3205B2S2PY 4 benches	83"	86"	32"	17"	52"	44"

INFORMATION

Warranty
Refer to KI Terms & Conditions document
or visit ki.com

CafeWay® Cafeteria Tables

Round Tables

MODEL	H x DIA	MODEL NUMBER							
		Basic Model	Table Top Edge Style	Surface Finish	Table Top Edge Color	Bench Surface	Sprayed Bench Edge Color	Frame Color	Stool Color
 <p>ECRDP</p> <p>Round Tables with 8-Stools</p> <ul style="list-style-type: none"> Pricing is "Delivered"; Tables ship blanket wrapped as standard Orders picked up or shipments outside continental US require pallet upcharge. Contact KI Customer Service Torsion bars and torsion springs work in conjunction to assist table lifting Storage latches are accessible from both sides of the table and provide a secure positive lock when the table is in the upright stored position Large non-marking casters make folded table movement easy Two edge styles available; Sprayed edge (SY) and Molded edge (MC) Polypropylene stools have ribs to reinforce points of stress and are recyclable Stools and benches require assembly 	29 x 60"	ECTRD290508PY	<input type="checkbox"/>	<input type="checkbox"/>	<input type="checkbox"/>			<input type="checkbox"/>	<input type="checkbox"/>
	27 x 60"	ECTRD270508PY	<input type="checkbox"/>	<input type="checkbox"/>	<input type="checkbox"/>			<input type="checkbox"/>	<input type="checkbox"/>
 <p>ECRDP</p> <p>Round Tables with 2-Benches/4-Stools</p> <ul style="list-style-type: none"> Pricing is "Delivered"; Tables ship blanket wrapped as standard Orders picked up or shipments outside continental US require pallet upcharge. Contact KI Customer Service Torsion bars and torsion springs work in conjunction to assist table lifting Storage latches are accessible from both sides of the table and provide a secure positive lock when the table is in the upright stored position Large non-marking casters make folded table movement easy Polypropylene stools have ribs to reinforce points of stress and are recyclable Stools and benches require assembly Two edge styles available on table tops only (SY) sprayed edge and edge (MC) Bench edge is always (SY) sprayed edge 	29 x 60"	ECTRD2905B2S4PY	<input type="checkbox"/>	<input type="checkbox"/>	<input type="checkbox"/>	<input type="checkbox"/>	BESCN	<input type="checkbox"/>	<input type="checkbox"/>
	27 x 60"	ECTRD2705B2S4PY	<input type="checkbox"/>	<input type="checkbox"/>	<input type="checkbox"/>	<input type="checkbox"/>	BESCN	<input type="checkbox"/>	<input type="checkbox"/>

A B C D E F G H

HOW TO ORDER

Indicate the following information on order form:

- Quantity of each item.
- Model number, including options. See "How To Build a Model Number".
- Any special service required.

Note:

- The indicates that a choice is required.
- The absence of the indicates that no choice is required.
- Alpha-numeric characters in place of indicate that no other alternatives are available.

HOW TO BUILD A MODEL NUMBER

- A** Select basic model.
Pricing is "Delivered".
- B** Select table top edge style.
SY - Sprayed Edge
MC - Urethane edge
- C** Select surface finish.
Refer to color addendum at ki.com or KI Fabrics & Finishes binder.
- D** Select table top edge color.
Refer to color addendum at ki.com or KI Fabrics & Finishes binder.
Edge color offerings are based on edge style selections.
- E** Select bench surface.
Refer to color addendum at ki.com or KI Fabrics & Finishes binder.
- F** Select sprayed bench edge color.
BESCN - Black-Carbon bench edge

Sprayed bench edge color is always BESCN Black-Carbon.

- G** Select frame color.
**Undercarriage remains black with any choice
**Chrome Upcharge ; add \$389
CH - Chrome
RV - Raven
Refer to color addendum at ki.com or KI Fabrics & Finishes binder.
- H** Select stool color.
Refer to color addendum at ki.com or KI Fabrics & Finishes binder.

INFORMATION

Sprayed Edge

Sprayed Edge (SY) is textured, which may result in surface variations that fall within an acceptable range.

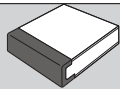
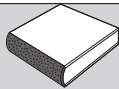
Delivery Note

At the time of order acknowledgement the customer will be acknowledged the week their product will deliver. A delivery appointment will be made approximately 1 to 2 weeks prior to the week of delivery by one of KI's carrier partners. In some situations, specific delivery date and time requests may result in additional charges.



CafeWay® Cafeteria Tables

Round Tables



Approx.
Packaged
Weight

Sprayed
Edge
(SY)

Urethane
Edge
(MC)

209.0# \$ 2408

\$ 2591

209.0# 2408

2591

215.0# \$ 2571

\$ 2755

215.0# 2571

2755

SPECIAL SERVICES

Special Carton Marking

With specially marked information N/C

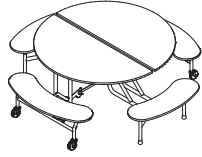
Shipping

Shipped k.d. Delivered from Elkhorn, Wisconsin 53121 factory. Freight class #200.

Specifications and prices are subject to change without prior notice.

CafeWay® Cafeteria Tables

Round Tables



ECRDP

MODEL	H x DIA	MODEL NUMBER						
		Basic Model	Table Top Edge Style	Surface Finish	Table Top Edge Color	Bench Surface	Sprayed Bench Edge Color	Frame Color
Round Tables with 4-Benches • Pricing is "Delivered"; Tables ship blanket wrapped as standard • Orders picked up or shipments outside continental US require pallet upcharge. Contact KI Customer Service • Torsion bars and torsion springs work in conjunction to assist table lifting • Storage latches are accessible from both sides of the table and provide a secure positive lock when the table is in the upright stored position • Large non-marking casters make folded table movement easy • Polypropylene stools have ribs to reinforce points of stress and are recyclable • Stools and benches require assembly • Two edge styles available on table tops only (SY) sprayed edge and edge (MC) • Bench edge is always (SY) sprayed edge	29 x 60"	ECTRD2905B4PY	<input type="checkbox"/>	<input type="checkbox"/>	<input type="checkbox"/>	<input type="checkbox"/>	BESCN	<input type="checkbox"/>
	27 x 60"	ECTRD2705B4PY	<input type="checkbox"/>	<input type="checkbox"/>	<input type="checkbox"/>	<input type="checkbox"/>	BESCN	<input type="checkbox"/>

A **B** **C** **D** **E** **F** **G**

HOW TO ORDER

Indicate the following information on order form:

- Quantity of each item.
- Model number, including options. See "How To Build a Model Number".
- Any special service required.

Note: • The indicates that a choice is required.
 • The absence of the indicates that no choice is required.
 • Alpha-numeric characters in place of indicate that no other alternatives are available.

HOW TO BUILD A MODEL NUMBER

- A** Select basic model.
Pricing is "Delivered".
- B** Select table top edge style.

SY	- Sprayed Edge
MC	- Urethane edge
- C** Select surface finish.
Refer to color addendum at ki.com or KI Fabrics & Finishes binder.
- D** Select table top edge color.
Refer to color addendum at ki.com or KI Fabrics & Finishes binder.
Edge color offerings are based on edge style selections.
- E** Select bench surface.
Refer to color addendum at ki.com or KI Fabrics & Finishes binder.
- F** Select sprayed bench edge color.

BESCN	- Black-Carbon bench edge
--------------	---------------------------

Sprayed bench edge color is always BESCN Black-Carbon.

- G** Select frame color.
 **Undercarriage remains black with any choice
 **Chrome Upcharge ; add \$389

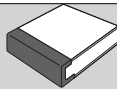
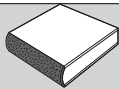
CH	- Chrome
RV	- Raven

 Refer to color addendum at ki.com or KI Fabrics & Finishes binder.



CafeWay® Cafeteria Tables

Round Tables



Approx.
Packaged
Weight

Sprayed
Edge
(SY)

Urethane
Edge
(MC)

221.0#

\$ 2735

\$ 2919

221.0#

2735

2919

SPECIAL SERVICES

Special Carton Marking

With specially marked information N/C

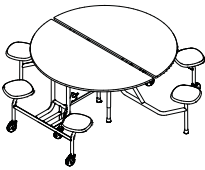
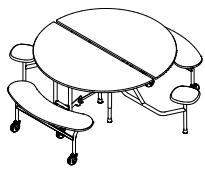
Shipping

Shipped k.d. Delivered from Elkhorn, Wisconsin 53121 factory. Freight class #200.

Specifications and prices are subject to change without prior notice.

CafeWay® Cafeteria Tables

Round-Wheelchair Accessible Tables

MODEL	H x DIA	MODEL NUMBER							
		Basic Model	Table Top Edge Style	Surface Finish	Table Top Edge Color	Bench Surface	Sprayed Bench Edge Color	Frame Color	Stool Color
 <p>EWDRP</p> <p>Wheelchair Accessible Round Tables with 6-Stools/2-Wheelchairs</p> <ul style="list-style-type: none"> • Pricing is "Delivered"; Tables ship blanket wrapped as standard • Orders picked up or shipments outside continental US require pallet upcharge. Contact KI Customer Service • Table and bases have a third caster for additional weight distribution • Storage latches are accessible from both sides of the table and provide a secure positive lock when the table is in the upright stored position • Large non-marking casters make folded table movement easy • Two edge styles available; Sprayed edge (SY) and Molded edge (MC) • Polypropylene stools have ribs to reinforce points of stress and are recyclable • Stools require assembly 	32 x 60"	ECTRD320506PY	<input type="checkbox"/>	<input type="checkbox"/>	<input type="checkbox"/>			<input type="checkbox"/>	<input type="checkbox"/>
 <p>EWDRP</p> <p>Wheelchair Accessible Round Tables with 2-Benches/2-Stools/2Wheelchairs</p> <ul style="list-style-type: none"> • Pricing is "Delivered"; Tables ship blanket wrapped as standard • Orders picked up or shipments outside continental US require pallet upcharge. Contact KI Customer Service • Table and bases have a third caster for additional weight distribution • Storage latches are accessible from both sides of the table and provide a secure positive lock when the table is in the upright stored position • Large non-marking casters make folded table movement easy • Polypropylene stools have ribs to reinforce points of stress and are recyclable • Stools and benches require assembly • Two edge styles available on table tops only (SY) sprayed edge and edge (MC) • Bench edge is always (SY) sprayed edge 	32 x 60"	ECTRD3205B2S2PY	<input type="checkbox"/>	<input type="checkbox"/>	<input type="checkbox"/>	<input type="checkbox"/>	BESCN	<input type="checkbox"/>	<input type="checkbox"/>

A B C D E F G H

HOW TO ORDER

Indicate the following information on order form:

- Quantity of each item.
- Model number, including options. See "How To Build a Model Number".
- Any special service required.

Note: • The indicates that a choice is required.
 • The absence of the indicates that no choice is required.
 • Alpha-numeric characters in place of indicate that no other alternatives are available.

HOW TO BUILD A MODEL NUMBER

- A** Select basic model. Pricing is "Delivered".
- B** Select table top edge style.
SY - Sprayed Edge
MC - Urethane edge
- C** Select surface finish. Refer to color addendum at ki.com or KI Fabrics & Finishes binder.
- D** Select table top edge color. Refer to color addendum at ki.com or KI Fabrics & Finishes binder. Edge color offerings are based on edge style selections.
- E** Select bench surface. Refer to color addendum at ki.com or KI Fabrics & Finishes binder.
- F** Select sprayed bench edge color.
BESCN - Black-Carbon bench edge

Sprayed bench edge color is always BESCN Black-Carbon.

- G** Select frame color.
 **Undercarriage remains black with any choice
 **Chrome Upcharge ; add \$389
CH - Chrome
RV - Raven
 Refer to color addendum at ki.com or KI Fabrics & Finishes binder.
- H** Select stool color. Refer to color addendum at ki.com or KI Fabrics & Finishes binder.

INFORMATION

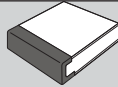
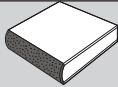
Sprayed Edge
 Sprayed Edge (SY) is textured, which may result in surface variations that fall within an acceptable range.

Delivery Note
 At the time of order acknowledgement the customer will be acknowledged the week their product will deliver. A delivery appointment will be made approximately 1 to 2 weeks prior to the week of delivery by one of KI's carrier partners. In some situations, specific delivery date and time requests may result in additional charges.



CafeWay® Cafeteria Tables

Round-Wheelchair Accessible Tables



Approx.
Packaged
Weight

Sprayed
Edge
(SY)

Urethane
Edge
(MC)

209.0#

\$ 2653

\$ 2836

215.0#

\$ 2571

\$ 2755

SPECIAL SERVICES

Special Carton Marking

With specially marked information N/C

Shipping

Shipped k.d. Delivered from Elkhorn, Wisconsin 53121 factory. Freight class #200.

Specifications and prices are subject to change without prior notice.

CaféWay® Octagonal Tables

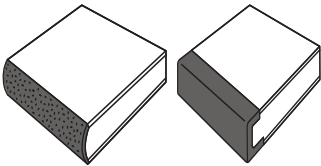
General Information



Octagonal w/Stools



Octagonal w/Stools - Folded



Sprayed edge (SY)

Urethane edge (MC)

SPECIFICATIONS

CaféWay® Overview

Tables shall be listed with Underwriters Laboratories in compliance with their testing for folding rollaway tables.

Lift Mechanism and Table Undercarriage

All critical parts at the pivot points are attached to the unitized steel frame. Steel latches are automatic in both the storage and in-use positions and are located so that they cannot be accidentally opened or knocked out of adjustment. Two-handed release mechanism protects fingers and hands during operation. Torsion bars assist in closing and opening tables. Torsion springs in conjunction with torsion bars provide easy lifting throughout the complete operating range. Torsion bars are shot-peened to impart compressive strength and increase lifecycle. Torsion bars are epoxy e-coated to prevent rusting and extend usable life. Torsion bars have machined grooves at each

end, which receive e-clips to lock in position and prevent lateral movement. All legs are robotically welded for continued consistent quality assurance.

Table Tops

Table top shall be constructed of ¾" thick particleboard with average density of 45 P.C.F. Table top (sprayed or molded edge) shall have a ½" corner radius. Table top is laminated with a .030 high-pressure laminate sheet for superior abrasion resistance. Laminates shall meet or exceed NEMA standards. A .028" phenolic backer is bonded to the bottom of the table core for stability and moisture resistance. Thickness shall be .808 +/- .004". Top is secured to frame with #10 x ¾" screws, 9" on centers.

Stools

13" diameter, high-impact polypropylene shall be of heavy-duty construction with ribs to reinforce points of stress and rolled edges for comfort and strength. Top shall be textured and color must permeate stool.

Stools are fastened directly on a 6" square 11-gauge steel plate with eight #14 x 5/8" screws. This plate is welded to a 1" diameter, 14-gauge vertical tube. Seat columns contact floor directly with rubber-cushioned, molded-in steel washer and non-skid, non-marring end cap.

Edges

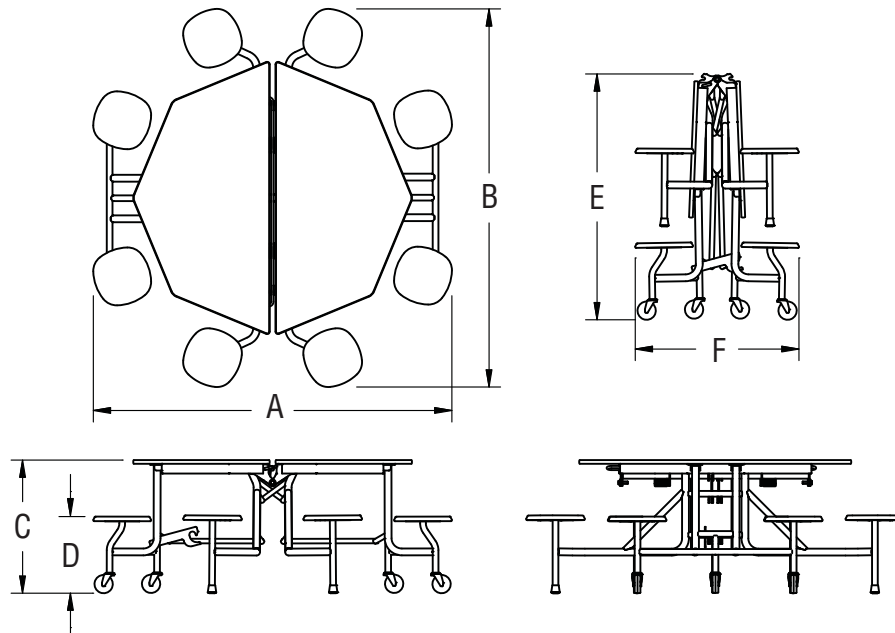
Table top edges shall be finished as either sprayed or molded urethane. Sprayed Edge (SY) - Edges are sealed and finished with sprayed-on black polyurea edge treatment that provides superior resistance to moisture, eliminates unsanitary food traps, and is extremely tamper-resistant. Molded Urethane Edge (MC) - Edges shall be made of ¼" thick by ¾" high, cast black polyurethane that is mechanically and chemically bonded to the table core and chemically bonded to the laminate surface edges to provide a superior, permanently sealed barrier to moisture, dirt and bacteria penetration.

Frames

Self-supporting MIG welded, unitized frame design uses 14-gauge 1", 1¼", and 1½" steel tubing. Lock plates are 8-gauge steel, laser cut to exact tolerances. Low profile 2" high, 14-gauge C-shaped aprons provide maximum top clearance. Grade 5 hex machine bolts with aircraft-type lock nuts are used at assembly points and shoulder bolts are used at stretcher bar-to-leg connections.

Frame Finishes

Frames shall be finished as either powdercoat or chrome. Powdercoat Finish - All metal parts are thoroughly cleaned to resist corrosion and provide maximum paint adhesion, finished with high-grade electrostatically applied baked-on epoxy powdercoat for superior resistance to abrasion, marring, and scratching. The metal finish shall be baked-on lightly textured polyester powdercoat. Chrome Finish - Chrome plating is available on leg sets touching the ground.



MODEL#	A	B	C	D	E	F
ECTOC290508BPY 8 stools	78"	83"	29"	17"	52"	36"
ECTOC270508BPY 8 stools	78"	83"	27"	15"	52"	36"

Casters

Table rolls on six 4" diameter x 1¼" wide Poly II gray rubber, non-marking, ball-bearing swivel casters. Poly II rubber wheels provide excellent floor protection, abrasion resistance, impact strength, quiet operation, and rolling ease. Casters are resistant to water, oil and most acids and chemicals.

INFORMATION

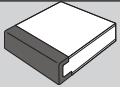
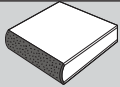
Warranty

Refer to KI Terms & Conditions document or visit ki.com



CafeWay® Cafeteria Tables

Octagonal Tables with Stools



Sprayed
Edge
(SY)

Urethane
Edge
(MC)

\$ 2408

\$ 2591

2408

2591

SPECIAL SERVICES

Special Carton Marking

With specially marked information N/C

Shipping

Shipped k.d. Delivered from Elkhorn, Wisconsin 53121 factory. Freight class #200.

Specifications and prices are subject to change without prior notice.

CaféWay® Racetrack Tables

General Information



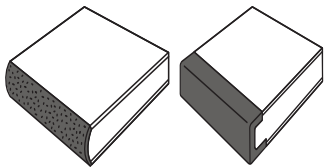
Racetrack w/Stools



Racetrack w/Stools - Folded



Racetrack
10stools/2 wheelchairs



Sprayed edge (SY)

Urethane edge (MC)

SPECIFICATIONS

CaféWay® Overview

Tables shall be listed with Underwriters Laboratories in compliance with their testing for folding rollaway tables.

Lift Mechanism and Table Undercarriage

All critical parts at the pivot points are attached to the unitized steel frame. Steel latches are automatic in both the storage and in-use positions and are located so that they cannot be accidentally opened or knocked out of adjustment. Two-handed release mechanism protects fingers and hands during operation. Torsion bars assist in closing and opening tables. Torsion springs in conjunction with torsion bars provide easy lifting throughout the complete operating range. Torsion bars are shot-peened to impart compressive strength and increase lifecycle. Torsion bars are epoxy e-coated to prevent rusting and extend usable life. Torsion bars have machined grooves at each

end, which receive e-clips to lock in position and prevent lateral movement. All legs are robotically welded for continued consistent quality assurance.

Table Tops and Benches

Table top and bench shall be constructed of ¾" thick particleboard with average density of 45 P.C.F. Table top (sprayed or molded edge) shall have a ½" corner radius. Table top is laminated with a .030 high-pressure laminate sheet for superior abrasion resistance. Laminates shall meet or exceed NEMA standards. A .028" phenolic backer is bonded to the bottom of the table core for stability and moisture resistance. Thickness shall be .808 +/- .004". Top is secured to frame with #10 x ¾" screws, 9" on centers. Benches are mounted to end legs with eight #10 x ¾" screws. Two additional bench-mounting brackets secure seat plate to bench with three #10 x ¾" screws each.

Stools

13" diameter, high-impact polypropylene

shall be of heavy-duty construction with ribs to reinforce points of stress and rolled edges for comfort and strength. Top shall be textured and color must permeate stool. Stools are fastened directly on a 6" square 11-gauge steel plate with eight #14 x 5/8" screws. This plate is welded to a 1" diameter, 14-gauge vertical tube. Seat columns contact floor directly with rubber-cushioned, molded-in steel washer and non-skid, non-marring end cap.

Edges

Table top edges shall be finished as either sprayed or molded urethane. Sprayed Edge (SY) - Edges are sealed and finished with sprayed-on black polyurea edge treatment that provides superior resistance to moisture, eliminates unsanitary food traps, and is extremely tamper-resistant. Molded Urethane Edge (MC) - Edges shall be made of ¼" thick by ¾" high, cast black polyurethane that is mechanically and chemically bonded to the table core and

chemically bonded to the laminate surface edges to provide a superior, permanently sealed barrier to moisture, dirt and bacteria penetration.

Frames

Self-supporting MIG welded, unitized frame design uses 14-gauge 1", 1¼", and 1½" steel tubing. Lock plates are 8-gauge steel, laser cut to exact tolerances. Low profile 2" high, 14-gauge C-shaped aprons provide maximum top clearance. Grade 5 hex machine bolts with aircraft-type lock nuts are used at assembly points and shoulder bolts are used at stretcher bar-to-leg connections.

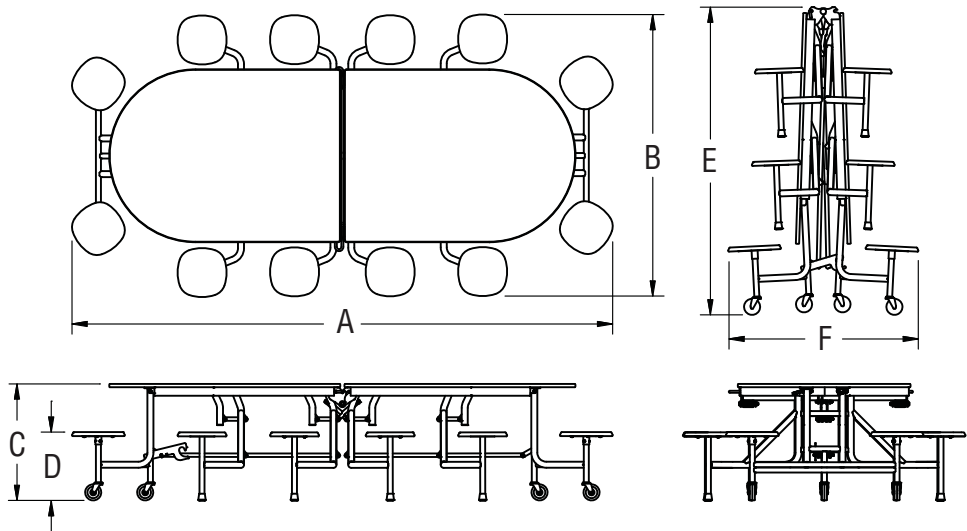
Frame Finishes

Frames shall be finished as either powdercoat or chrome. Powdercoat Finish - All metal parts are thoroughly cleaned to resist corrosion and provide maximum paint adhesion, finished with high-grade electrostatically applied baked-on epoxy powdercoat for superior resistance to abrasion, marring, and scratch-



CafeWay® Racetrack Tables

General Information



MODEL#	A	B	C	D	E	F
ECTEL291012PY 12 stools	135"	70"	29"	17"	78"	46-1/2"
ECTEL271012PY 12 stools	135"	70"	27"	15"	76"	46-1/2"

ing. The metal finish shall be baked-on lightly textured polyester powdercoat. Chrome Finish - Chrome plating is available on leg sets touching the ground.

Casters

Table rolls on six 4" diameter x 1 1/4" wide Poly II gray rubber, non-marking, ball-bearing swivel casters. Poly II rubber wheels provide excellent floor protection, abrasion resistance, impact strength, quiet operation, and rolling ease. Casters are resistant to water, oil and most acids and chemicals.

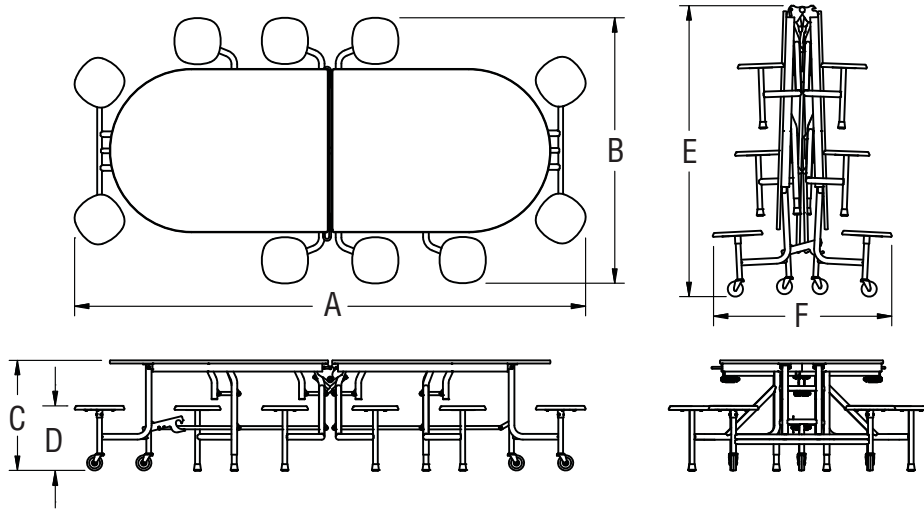
INFORMATION

Warranty

Refer to KI Terms & Conditions document or visit ki.com

CafeWay® Racetrack Tables

General Information

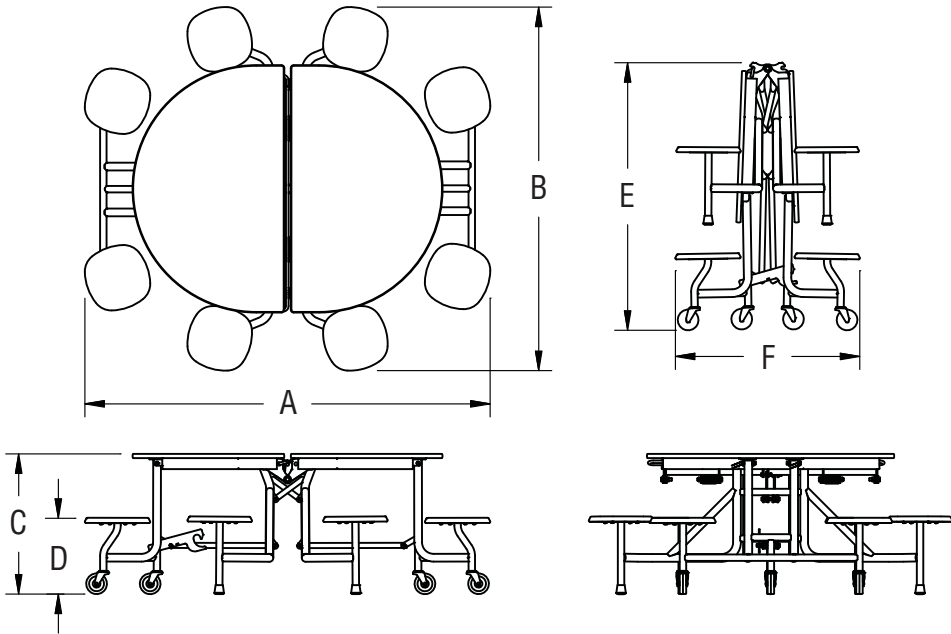


MODEL#	A	B	C	D	E	F
ECTEL291010PY 10 stools and 2 wheelchair access spaces	135"	70"	29"	17"	78"	46-1/2"



CafeWay® Racetrack Tables

General Information



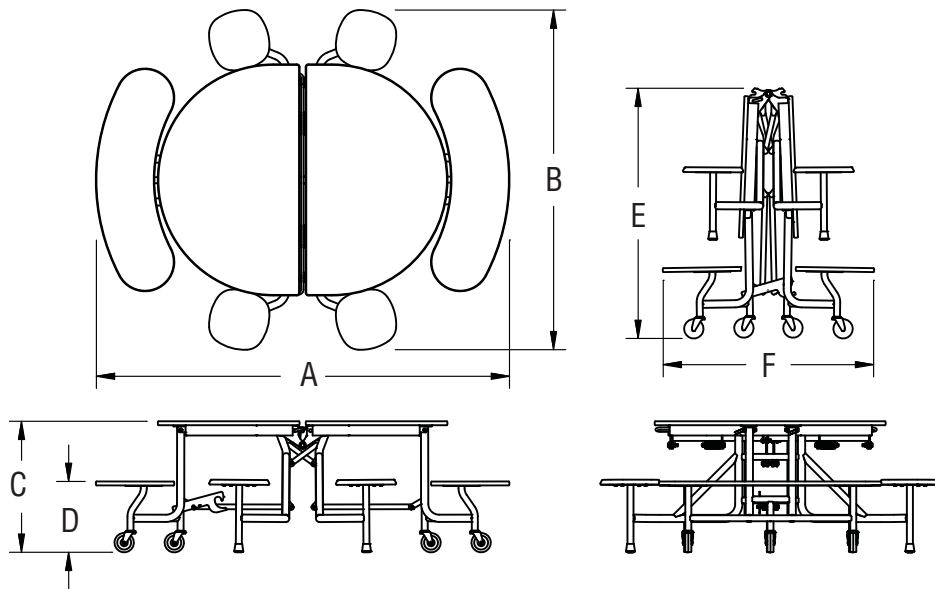
MODEL#	A	B	C	D	E	F
ECTEL270508PY 8 stools	78"	70"	27"	15"	52"	34"

INFORMATION

Warranty
Refer to KI Terms & Conditions document
or visit ki.com

CafeWay® Racetrack Tables

General Information



MODEL#	A	B	C	D	E	F
ECTEL2705B2S4PY 2 benches and 4 stools	86"	70"	27"	15"	52"	42"



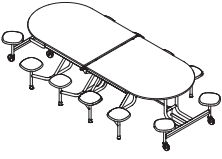
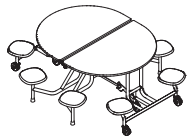
INFORMATION

Warranty

Refer to KI Terms & Conditions document
or visit ki.com

CafeWay® Cafeteria Tables

Racetrack Tables with Stools

MODEL	H x L x W	MODEL NUMBER						Approx. Packaged Weight
		Basic Model	Edge Style	Surface Finish	Surface Edge Color	Frame Color	Stool Color	
 <p>ECELP</p> <p>Racetrack Tables with 12-Stools</p> <ul style="list-style-type: none"> • Pricing is "Delivered"; Tables ship blanket wrapped as standard • Orders picked up or shipments outside continental US require pallet upcharge. Contact KI Customer Service • Torsion bars and torsion springs work in conjunction to assist table lifting • Table and bases have a third caster for additional weight distribution • Storage latches are accessible from both sides of the table and provide a secure positive lock when the table is in the upright stored position • Large non-marking casters make folded table movement easy • Two edge styles available; Sprayed edge (SY) and Molded edge (MC) • Polypropylene stools have ribs to reinforce points of stress and are recyclable • Stools require assembly 	29 x 120 x 44"	ECTEL291012PY	<input type="checkbox"/> <input type="checkbox"/> <input type="checkbox"/>	<input type="checkbox"/> <input type="checkbox"/> <input type="checkbox"/>	<input type="checkbox"/> <input type="checkbox"/> <input type="checkbox"/> <input type="checkbox"/>	<input type="checkbox"/> <input type="checkbox"/>	<input type="checkbox"/> <input type="checkbox"/> <input type="checkbox"/>	320.0#
	27 x 120 x 44"	ECTEL271012PY	<input type="checkbox"/> <input type="checkbox"/> <input type="checkbox"/>	<input type="checkbox"/> <input type="checkbox"/> <input type="checkbox"/>	<input type="checkbox"/> <input type="checkbox"/> <input type="checkbox"/> <input type="checkbox"/>	<input type="checkbox"/> <input type="checkbox"/>	<input type="checkbox"/> <input type="checkbox"/> <input type="checkbox"/>	321.0#
 <p>ECELP</p> <p>Racetrack Tables with 8-Stools</p> <ul style="list-style-type: none"> • Pricing is "Delivered"; Tables ship blanket wrapped as standard • Orders picked up or shipments outside continental US require pallet upcharge. Contact KI Customer Service • Torsion bars and torsion springs work in conjunction to assist table lifting • Table and bases have a third caster for additional weight distribution • Storage latches are accessible from both sides of the table and provide a secure positive lock when the table is in the upright stored position • Large non-marking casters make folded table movement easy • Two edge styles available; Sprayed edge (SY) and Molded edge (MC) • Polypropylene stools have ribs to reinforce points of stress and are recyclable • Stools require assembly 	27 x 60 x 48"	ECTEL270508PY	<input type="checkbox"/> <input type="checkbox"/> <input type="checkbox"/>	<input type="checkbox"/> <input type="checkbox"/> <input type="checkbox"/>	<input type="checkbox"/> <input type="checkbox"/> <input type="checkbox"/> <input type="checkbox"/>	<input type="checkbox"/> <input type="checkbox"/>	<input type="checkbox"/> <input type="checkbox"/> <input type="checkbox"/>	215.0#

A **B** **C** **D** **E** **F**

HOW TO ORDER

Indicate the following information on order form:

1. Quantity of each item.
2. Model number, including options. See "How To Build a Model Number".
3. Any special service required.

Note:

- The indicates that a choice is required.
- The absence of the indicates that no choice is required.
- Alpha-numeric characters in place of indicate that no other alternatives are available.

HOW TO BUILD A MODEL NUMBER

- A** Select basic model.
Pricing is "Delivered".
- B** Select edge style.

SY	- Sprayed Edge
MC	- Urethane edge
- C** Select surface finish.
Refer to color addendum at ki.com or KI Fabrics & Finishes binder.
- D** Select surface edge color.
Refer to color addendum at ki.com or KI Fabrics & Finishes binder.
Edge color offerings are based on edge style selections.
- E** Select frame color.
 - **Undercarriage remains black with any choice
 - **Chrome Upcharge ; add \$449

CH	- Chrome
RV	- Raven

Refer to color addendum at ki.com or KI Fabrics & Finishes binder.

- F** Select stool color.
Refer to color addendum at ki.com or KI Fabrics & Finishes binder.

INFORMATION

Sprayed Edge

Sprayed Edge (SY) is textured, which may result in surface variations that fall within an acceptable range.

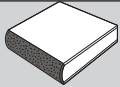
Delivery Note

At the time of order acknowledgement the customer will be acknowledged the week their product will deliver. A delivery appointment will be made approximately 1 to 2 weeks prior to the week of delivery by one of KI's carrier partners. In some situations, specific delivery date and time requests may result in additional charges.



CafeWay® Cafeteria Tables

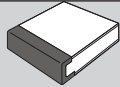
Racetrack Tables with Stools



Sprayed
Edge
(SY)

\$ 3745

3745



Urethane
Edge
(MC)

\$ 4024

4024

\$ 2408

\$ 2686

SPECIAL SERVICES

Special Carton Marking

With specially marked information N/C

Shipping

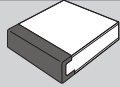
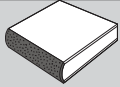
Shipped k.d. Delivered from Elkhorn, Wisconsin 53121 factory. Freight class #200.

Specifications and prices are subject to change without prior notice.



CafeWay® Cafeteria Tables

Racetrack Tables with Benches/Stools



Approx.
Packaged
Weight

Sprayed
Edge
(SY)

Urethane
Edge
(MC)

221.0#

\$ 2408

\$ 2686

SPECIAL SERVICES

Special Carton Marking

With specially marked information N/C

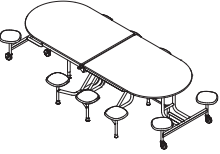
Shipping

Shipped k.d. Delivered from Elkhorn, Wisconsin 53121 factory. Freight class #200.

Specifications and prices are subject to change without prior notice.

CafeWay® Cafeteria Tables

Racetrack-Wheelchair Accessible Tables

MODEL	H x L x W	MODEL NUMBER						Approx. Packaged Weight
		Basic Model	Edge Style	Surface Finish	Surface Edge Color	Frame Color	Stool Color	
 <p>Wheelchair Accessible Racetrack Tables with 10-Stools/2-Wheelchairs</p> <ul style="list-style-type: none"> • Pricing is "Delivered"; Tables ship blanket wrapped as standard • Orders picked up or shipments outside continental US require pallet upcharge. Contact KI Customer Service • Torsion bars and torsion springs work in conjunction to assist table lifting • Table and bases have a third caster for additional weight distribution • Storage latches are accessible from both sides of the table and provide a secure positive lock when the table is in the upright stored position • Wheelchair accessible models provide (10) stools and room for (2) wheel chairs • Large non-marking casters make folded table movement easy • Two edge styles available; Sprayed edge (SY) and Molded edge (MC) • Polypropylene stools have ribs to reinforce points of stress and are recyclable • Stools require assembly 	29 x 120 x 44"	ECTEL291010PY	<input type="checkbox"/> <input type="checkbox"/> <input type="checkbox"/>	<input type="checkbox"/> <input type="checkbox"/> <input type="checkbox"/>	<input type="checkbox"/> <input type="checkbox"/> <input type="checkbox"/> <input type="checkbox"/>	<input type="checkbox"/> <input type="checkbox"/>	<input type="checkbox"/> <input type="checkbox"/> <input type="checkbox"/>	320.0#

A **B** **C** **D** **E** **F**

HOW TO ORDER

Indicate the following information on order form:

1. Quantity of each item.
2. Model number, including options. See "How To Build a Model Number".
3. Any special service required.

Note: • The indicates that a choice is required.
 • The absence of the indicates that no choice is required.
 • Alpha-numeric characters in place of indicate that no other alternatives are available.

HOW TO BUILD A MODEL NUMBER

- A** Select basic model.
Pricing is "Delivered".
- B** Select edge style.

SY	- Sprayed Edge
MC	- Urethane edge
- C** Select surface finish.
Refer to color addendum at ki.com or KI Fabrics & Finishes binder.
- D** Select surface edge color.
Refer to color addendum at ki.com or KI Fabrics & Finishes binder.
Edge color offerings are based on edge style selections.
- E** Select frame color.
 **Undercarriage remains black with any choice
 **Chrome Upcharge ; add \$389

CH	- Chrome
RV	- Raven

Refer to color addendum at ki.com or KI Fabrics & Finishes binder.

- F** Select stool color.
Refer to color addendum at ki.com or KI Fabrics & Finishes binder.

INFORMATION

Sprayed Edge

Sprayed Edge (SY) is textured, which may result in surface variations that fall within an acceptable range.

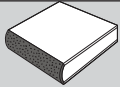
Delivery Note

At the time of order acknowledgement the customer will be acknowledged the week their product will deliver. A delivery appointment will be made approximately 1 to 2 weeks prior to the week of delivery by one of KI's carrier partners. In some situations, specific delivery date and time requests may result in additional charges.



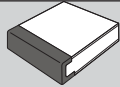
CafeWay® Cafeteria Tables

Racetrack-Wheelchair Accessible Tables



Sprayed Edge (SY)

\$ 3745



Urethane Edge (MC)

\$ 4024

SPECIAL SERVICES

Special Carton Marking

With specially marked information N/C

Shipping

Shipped k.d. Delivered from Elkhorn, Wisconsin 53121 factory. Freight class #200.

Specifications and prices are subject to change without prior notice.

Index

Model No.	Description	Page	Model No.	Description	Page
ECTEL270508PY	Racetrack Tables with Stools: Racetrack Tables with 8-Stools	32			
ECTEL2705B2S4PY	Racetrack Tables with Benches/Stools: Racetrack Tables w/2-Benches/4-Stools	34			
ECTEL291010PY	Racetrack-Wheelchair Accessible Tables: Wheelchair Accessible Racetrack Tables with 10-Stools/2-Wheelchairs	36			
ECTEL291012PY	Racetrack Tables with Stools: Racetrack Tables with 12-Stools	32			
ECTOC290508PY	Octagonal Tables with Stools: Octagonal Tables with 8-Stools	24			
ECTRC290808PY	Rectangular Tables with Stools: Rectangular Tables with 8-Stools	8			
ECTRC291212PY	Rectangular Tables with Stools: Rectangular Tables with 12-Stools	8			
ECTRD290508PY	Round Tables: Round Tables with 8-Stools	16			
ECTRD2905B2S4PY	Round Tables: Round Tables with 2-Benches/4-Stools	16			
ECTRD2905B4PY	Round Tables: Round Tables with 4-Benches	18			
ECTRD320506PY	Round-Wheelchair Accessible Tables: Wheelchair Accessible Round Tables with 6-Stools/2-Wheelchairs	20			
ECTRD3205B2S2PY	Round-Wheelchair Accessible Tables: Wheelchair Accessible Round Tables with 2-Benches/2-Stools/2Wheelchairs	20			
ECTRG2912BE	Rectangular Tables with Benches: Rectangular Tables with Benches	4			



Model No.	Description	Page	Model No.	Description	Page
-----------	-------------	------	-----------	-------------	------



KI
1330 Bellevue Street
P.O. Box 8100
Green Bay, Wisconsin 54308-8100
1-800-424-2432
www.ki.com

KI and Furnishing Knowledge
are registered trademarks
of Krueger International, Inc.

© 2014 Krueger International, Inc.
All Rights Reserved.
Code KI-11609/KI/PDF/1014